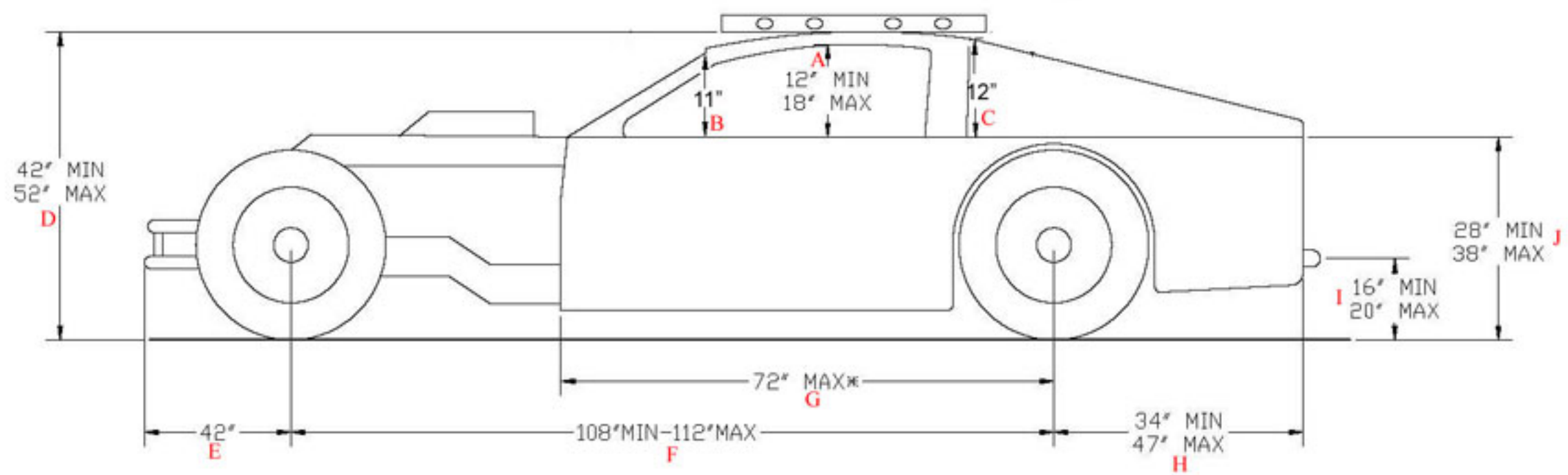
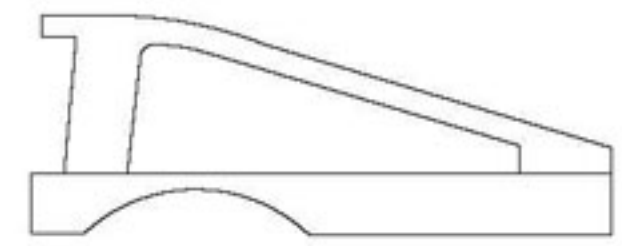
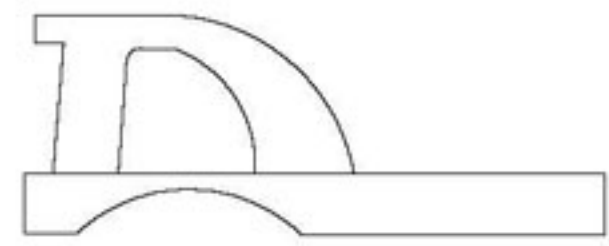
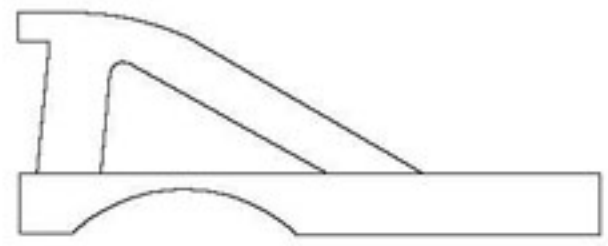


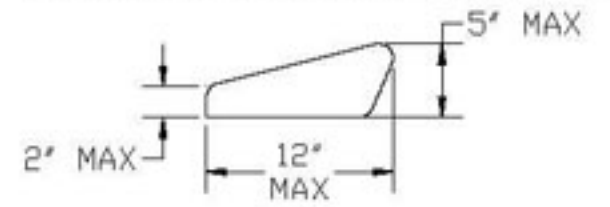
- A. Window Opening - 12" Min - 18" Max
- B. From edge of roof to interior deck - 11"
- C. Rear edge of roof to interior deck - 12"
- D. Highest point of roof to ground - 42" Min - 52" Max
- E. Center of front wheel to front edge of front bumper - 42"
- F. Wheelbase - Center of rear wheel to center of front wheel - 108" Min - 112" Max
- G. Center of rear wheel to front edge of door - 72" Max
- H. Center of rear wheel to rear edge of quarter panel - 34" Min - 47" Max
- I. Center of lowest bar on rear bumper to ground - 16" Min - 20" Max
- J. Deck height to ground - 28" Min - 38" Max



ACCEPTABLE ALTERNATE ROOF POSTS



OPTIONAL SPOILER SUPPORT



SPOILER SUPPORT MAY ALSO BE BUILT INTO ROOF POST



2007 UMP MODIFIED DIAGRAM

REVISION: A		
DRAWN BY:	BRIAN DUNLAP	1/3/2007
CHECKED BY:	SAM DRIGGERS	1/3/2007